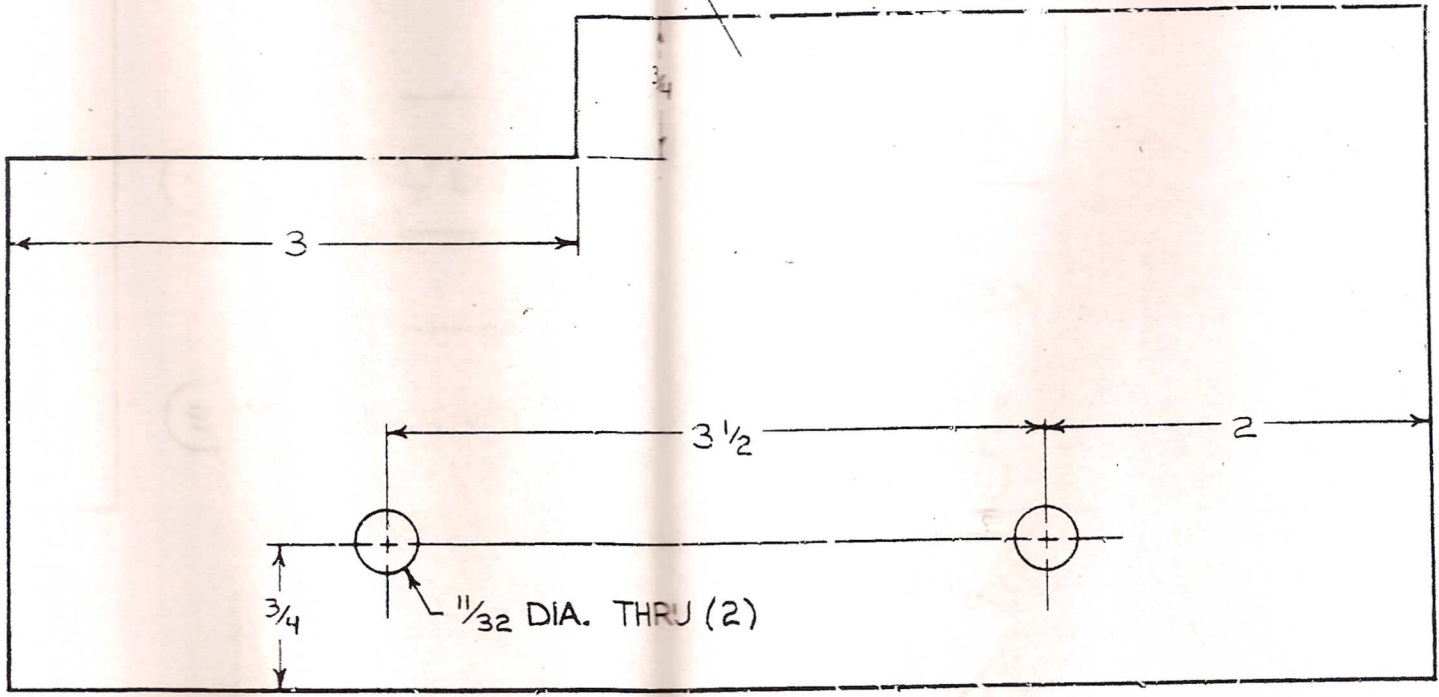
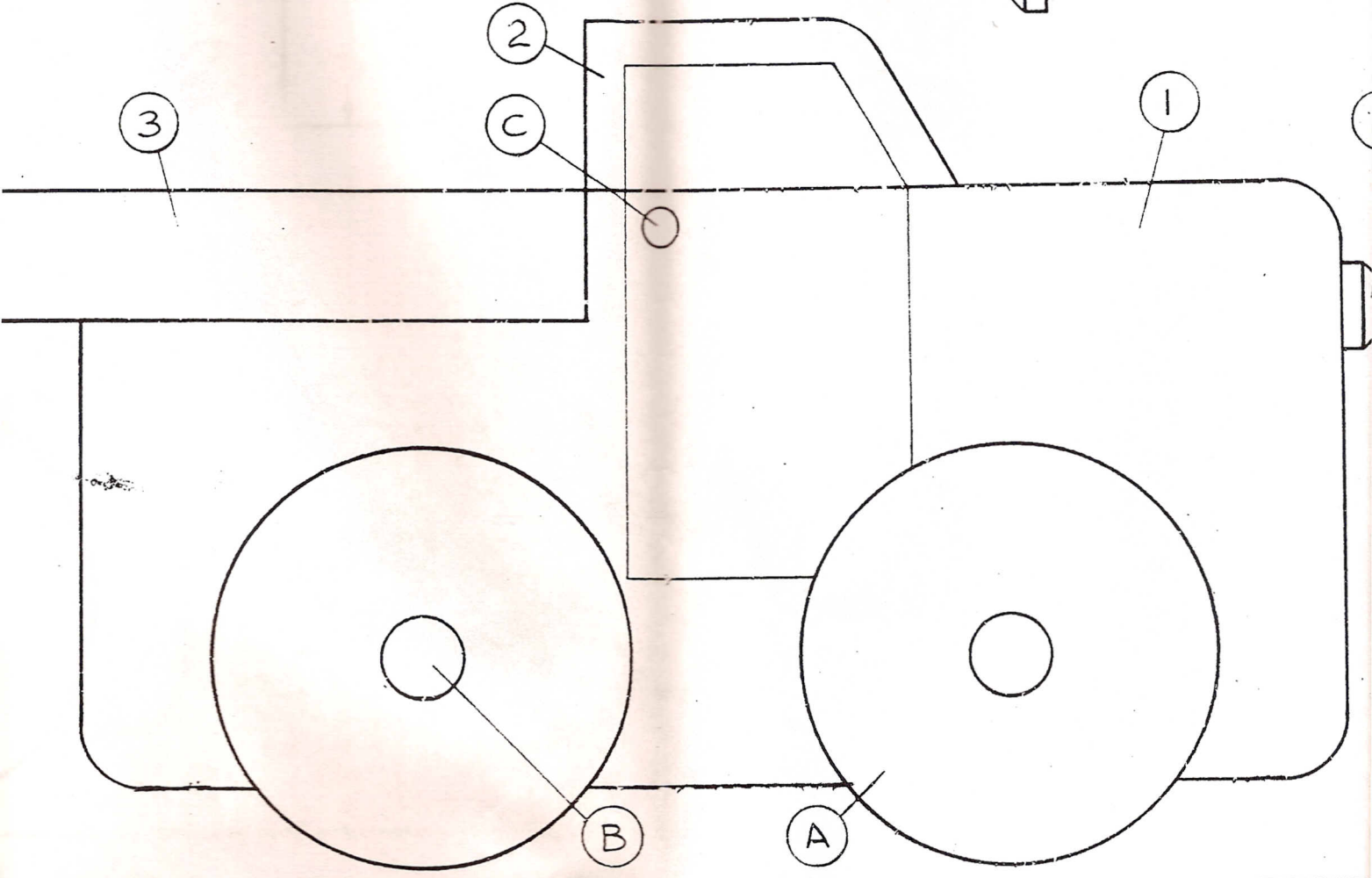


1 CHASSIS 1 1/2" x 3 1/2" x 7 1/2"

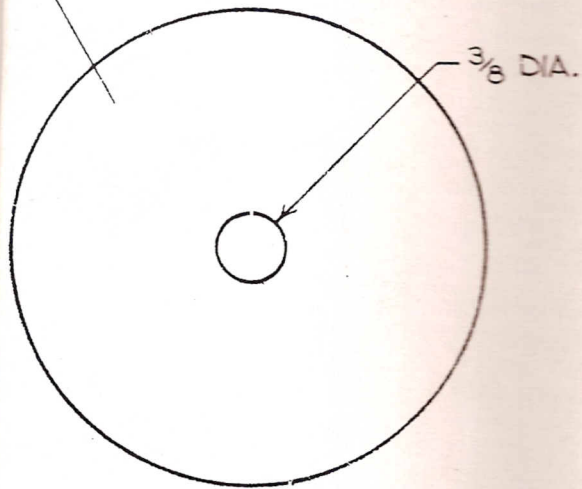


C DOOR HANDLE (2)
1/4" RD. HD. SCREW HOLE PLUG

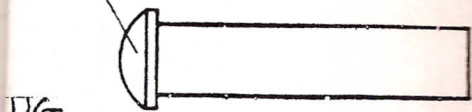
E HEADLIGHT (2)
1/2" RD. HD. SCREW HOLE



A WHEEL (4) $2\frac{1}{2}$ " DIA. \times $\frac{3}{4}$ "

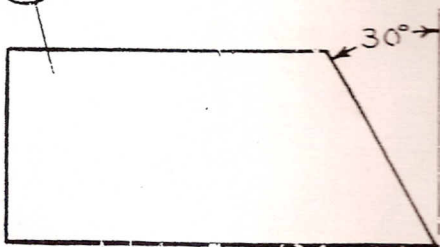


B AXLE PEG (4)
 $\frac{1}{32}$ " DIA. \times $1\frac{5}{8}$ " SHANK



UG

2 CAB $1" \times 1\frac{1}{2}" \times 2\frac{1}{4}"$



3 BED $\frac{3}{4}" \times 3" \times 3\frac{1}{2}"$

